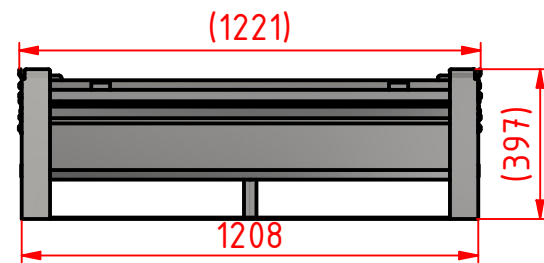
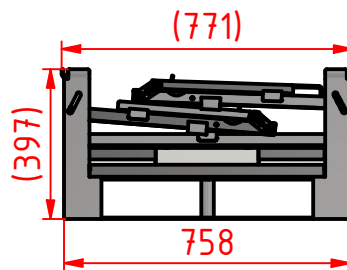
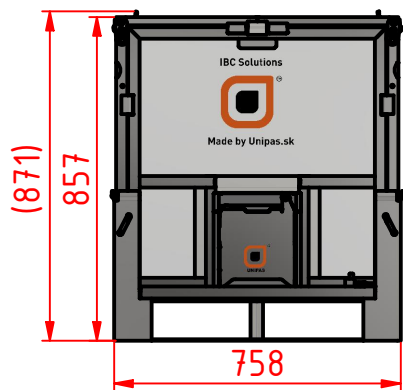
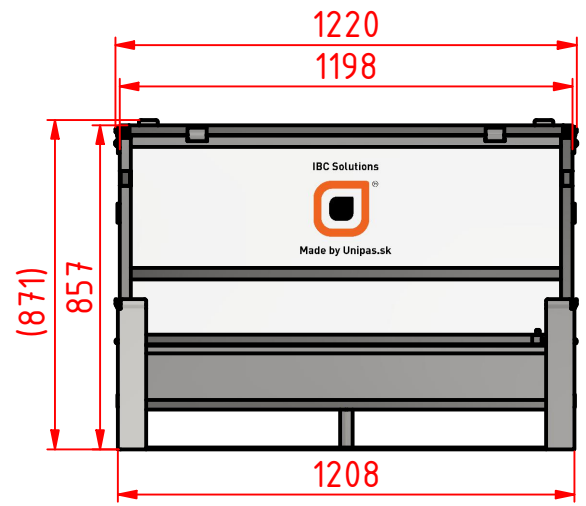
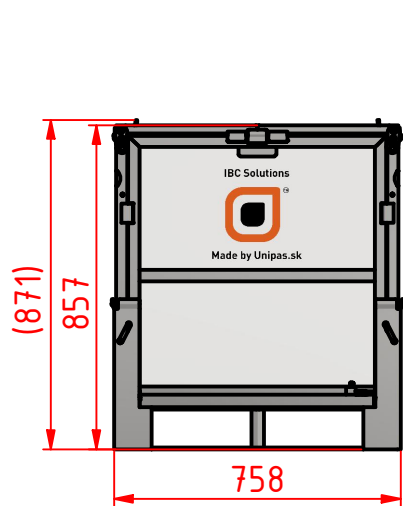

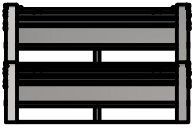


DESCRIPTION: 1208x758x857 mm Foldable steel IBC FOR fluid and dry solution



SPECIFICATION SHEET: **UNIP-19/500L**

External dimension with lid(mm):	(758x1208x857)	 <p>Maxi Dynamic Full Load Unit 2pcs Height: 1714 mm Maxi Statick Full Load Unit 5pcs Height: 4282 mm</p>
Internal dimensions(mm):	(1132x681x691)	
Folding height with lid : (mm)	397	
Lid stacking height (mm):	39	 <p>Maxi Dynamic Folded Unit 7pcs Height: 2695 mm Maxi Statick Folded Unit 14pcs Height: 5375 mm</p>
Weight (kg):	102	
Volume(L):	532	
Load capacity(kg):	532	
Dynamic load(kg):		Material: steel
Static load(kg):		Standard Trailer 198 pcs
Racking load(kg):		Mega Trailer 231 pcs
Folding ratio:	1:3	Working Temperature: -20°C +80°C
Standard colors:	Base: galvanized steel	20 GP: 72 pcs
	Wall: galvanized steel color-bond	40 GP:
		40 HC: 162 pcs

Disclaimer:

Capacity is dependent upon application and use environment. Check with UNIPAS for suitability in application. Specifications subject to change without notice. All dimensions are approximate.